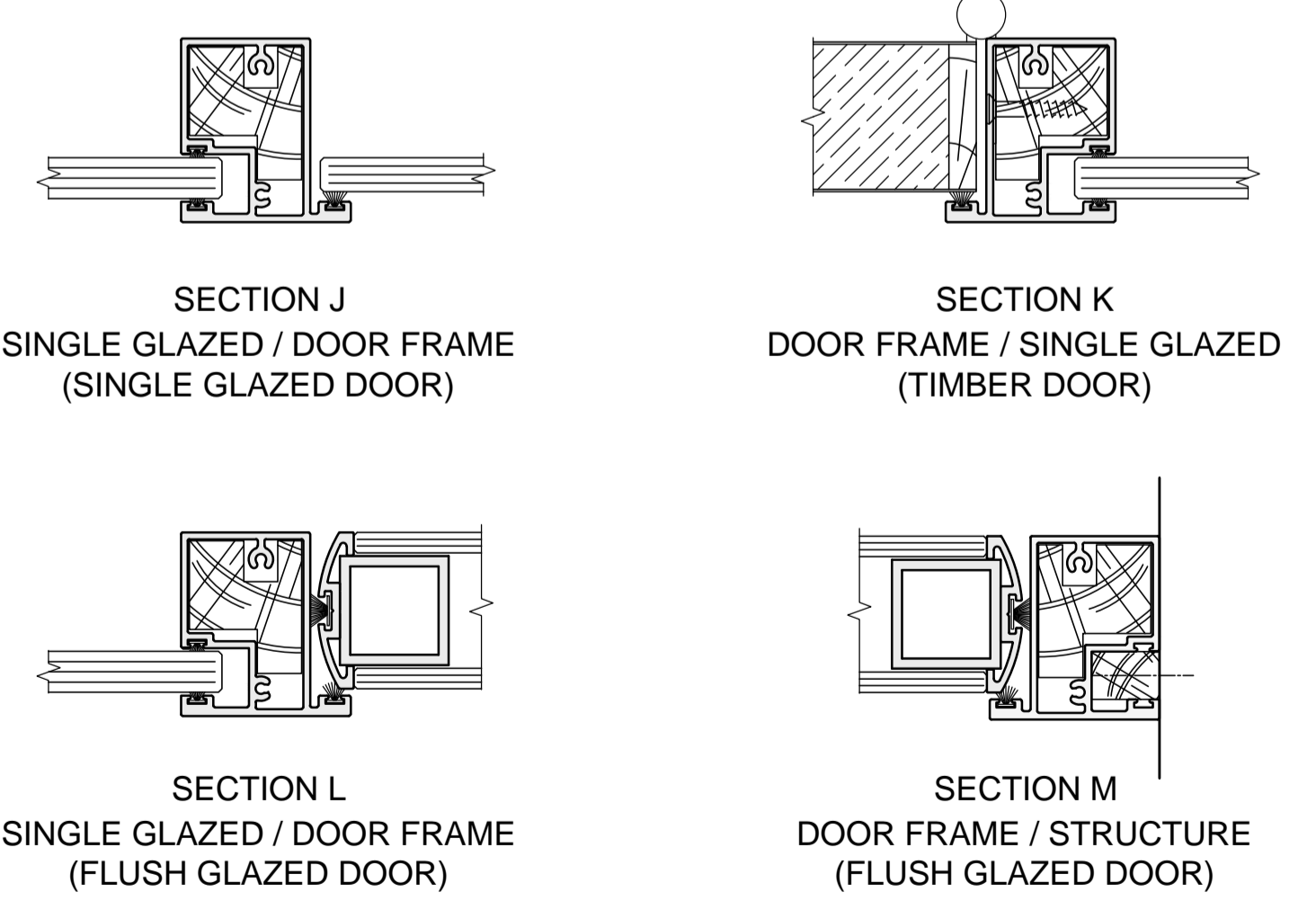
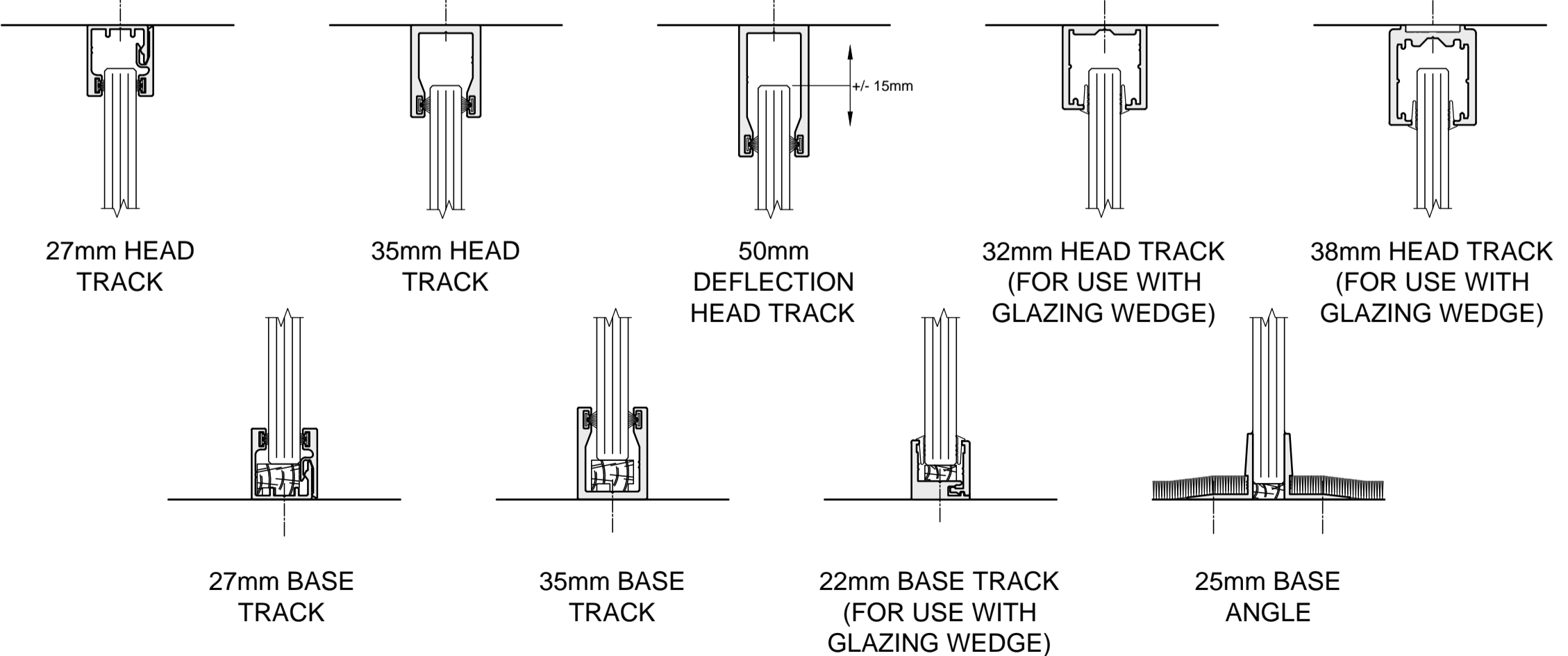
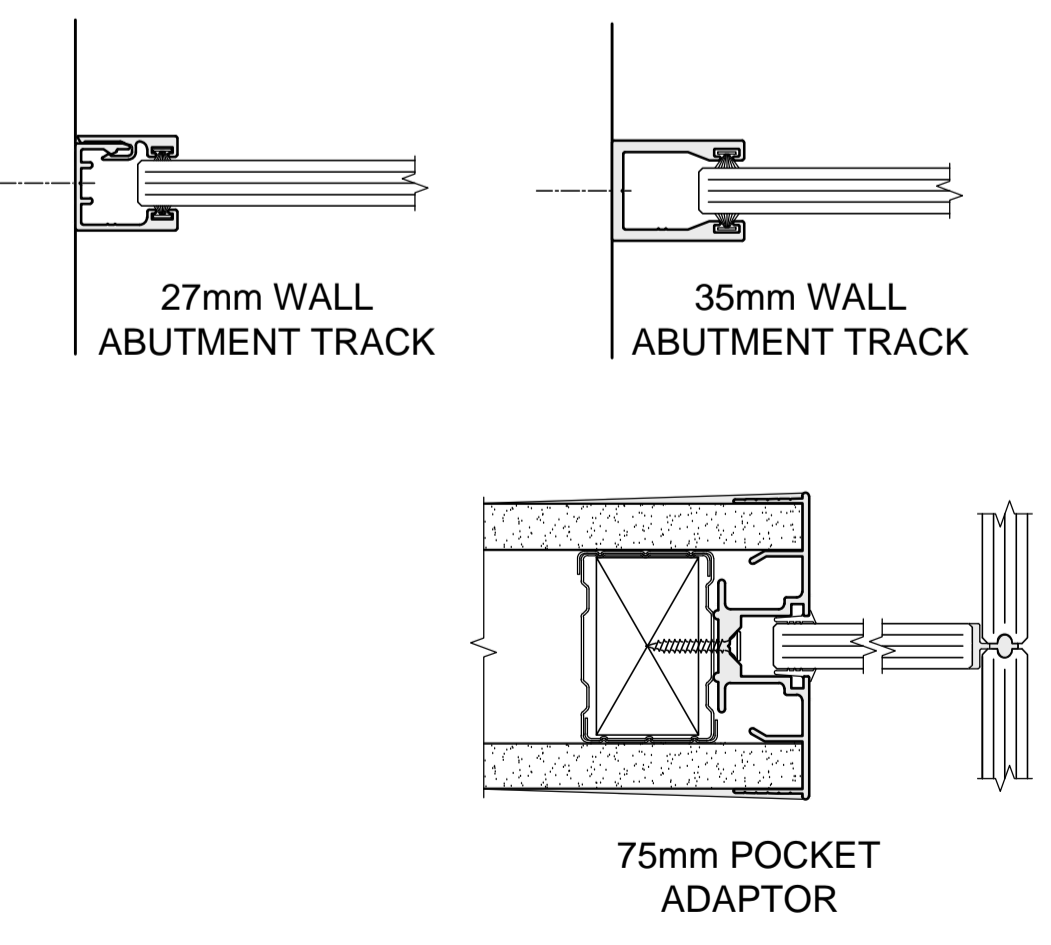
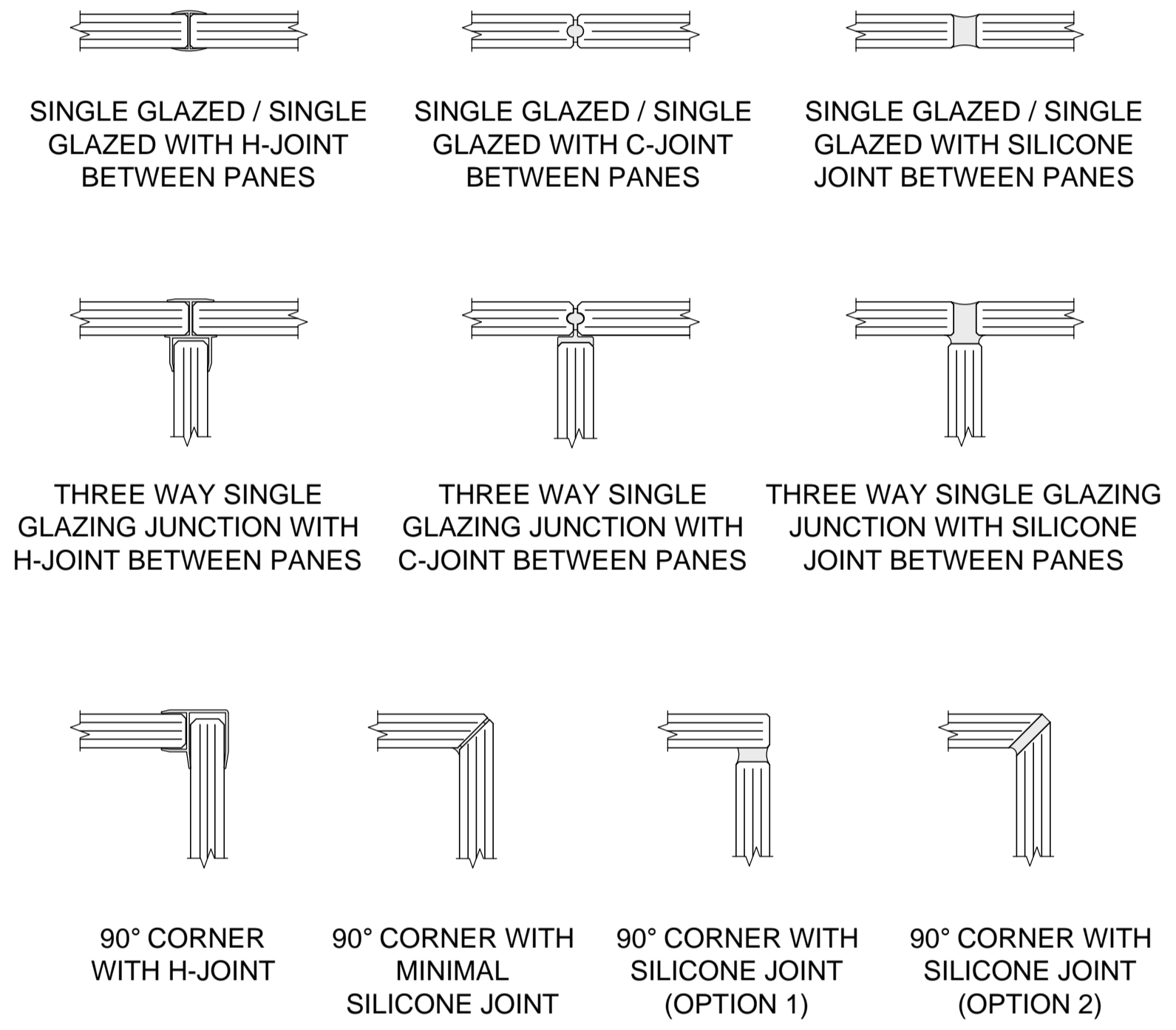


SECTION A FULL HEIGHT SINGLE GLAZED
SECTION B SINGLE GLAZED DOOR TO HEAD HEIGHT WITH GLAZED ABOVE
SECTION C FULL HEIGHT TIMBER DOOR
SECTION D ECLIPSE
SECTION E FULL HEIGHT FRAMELESS GLAZED DOOR
SECTION F FULL HEIGHT FLUSH GLAZED DOOR
SECTION G FULL HEIGHT SINGLE GLAZED WITH DEFLECTION HEAD
SECTION H FULL HEIGHT TIMBER DOOR WITH DEFLECTION HEAD
SECTION I ECLIPSE SG



THE DETAILS ABOVE SHOW A SUMMARY OF SYSTEM OFFERING. FOR FURTHER DESIGN OPTIONS PLEASE CONTACT THE PARTITIONING TECHNICAL DEPARTMENT. FOR FIRE RATED DETAILS REFER TO TECHNICAL MANUAL.