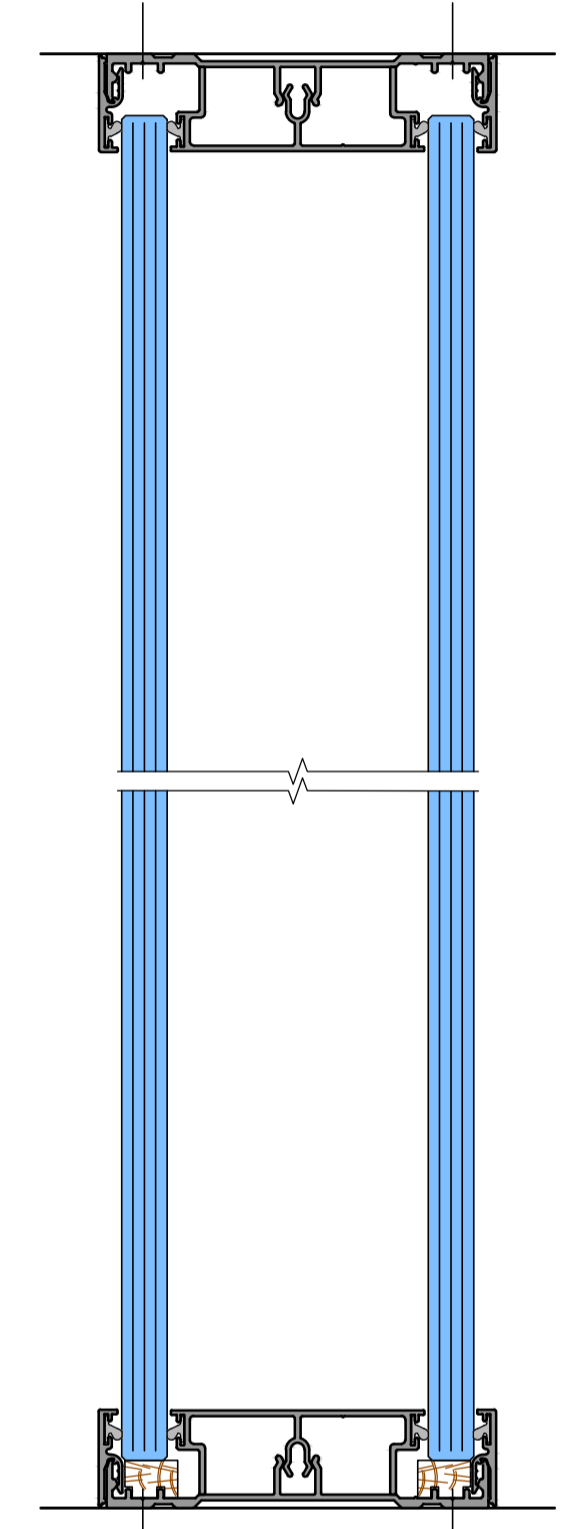
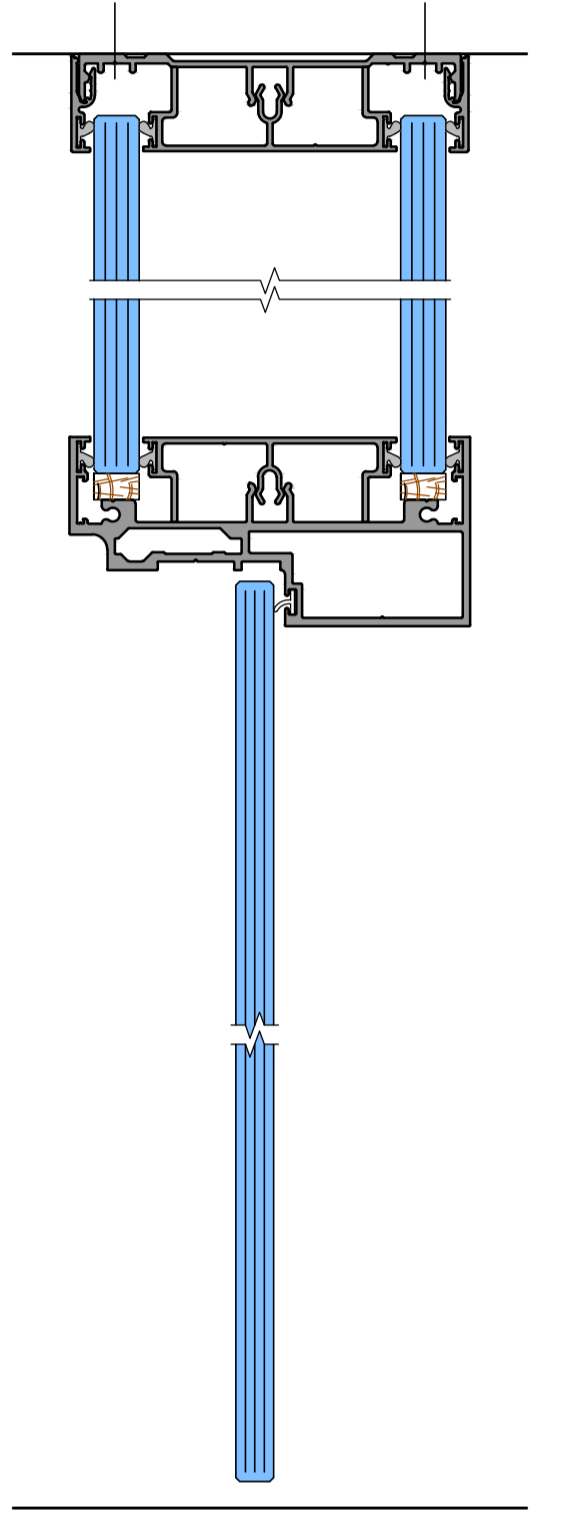


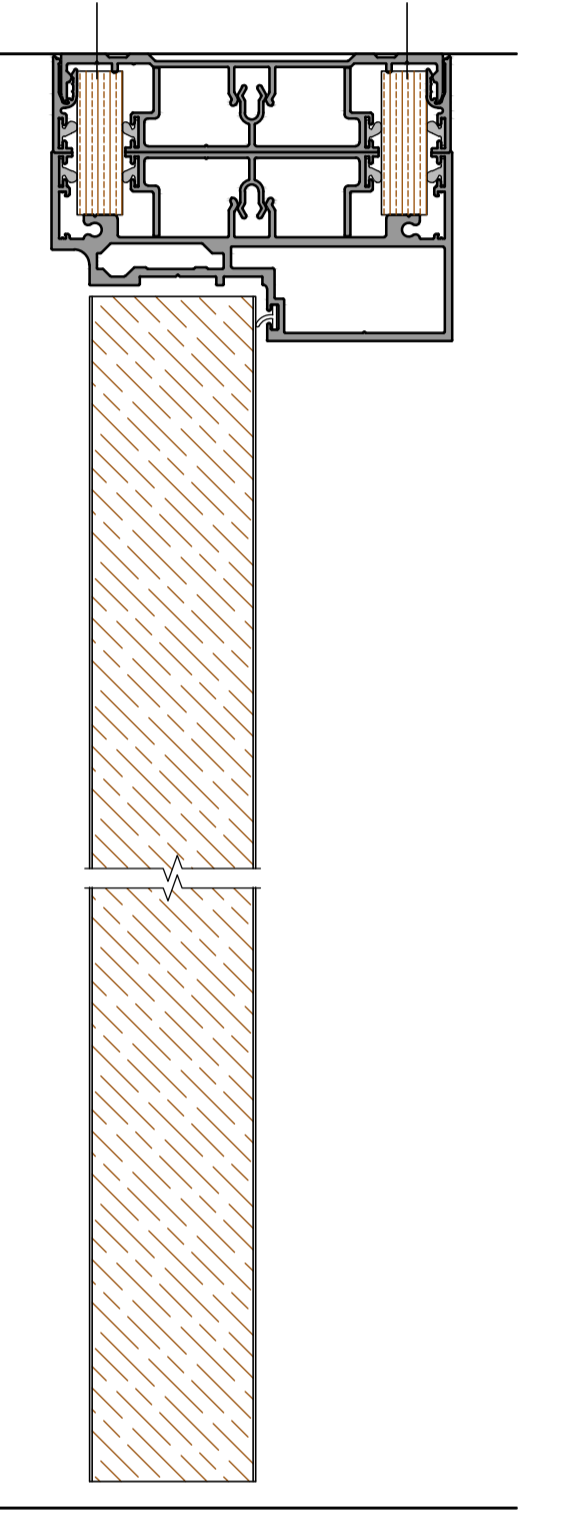
*MANIFESTATION TO MEET REQUIREMENTS OF APPROVED DOCUMENT M IF BLINDS ARE NOT USED



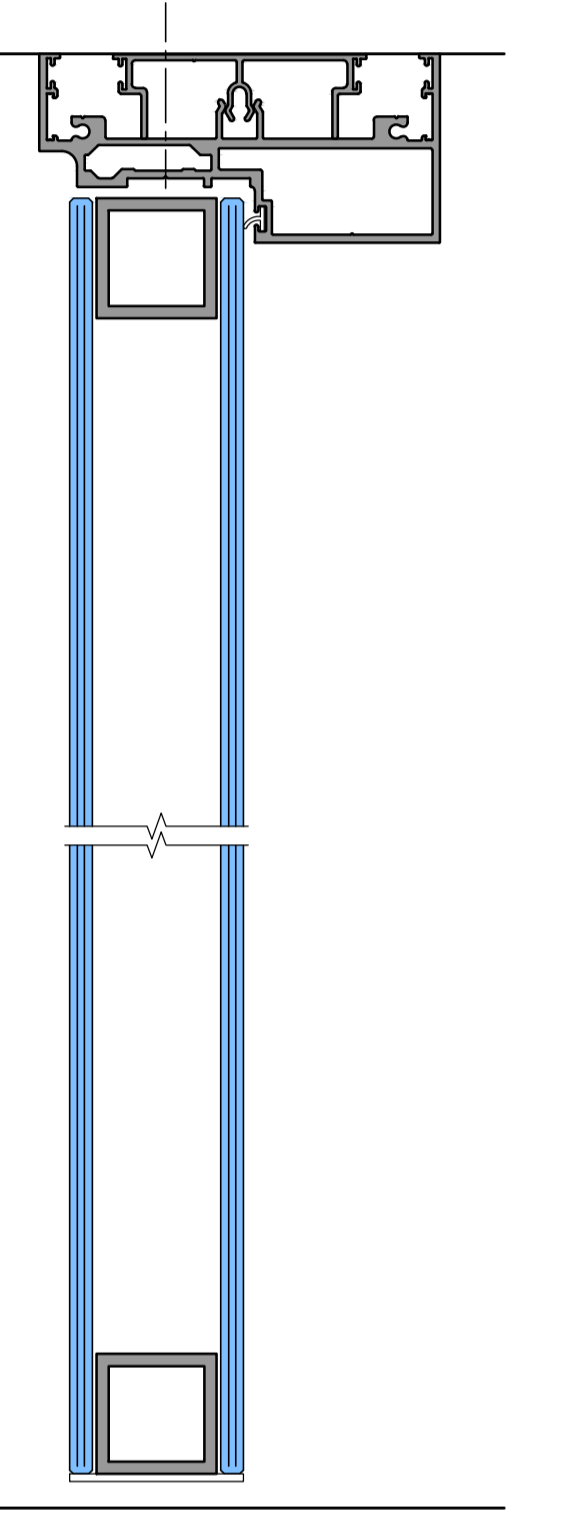
SECTION A
FULL HEIGHT
DOUBLE GLAZED



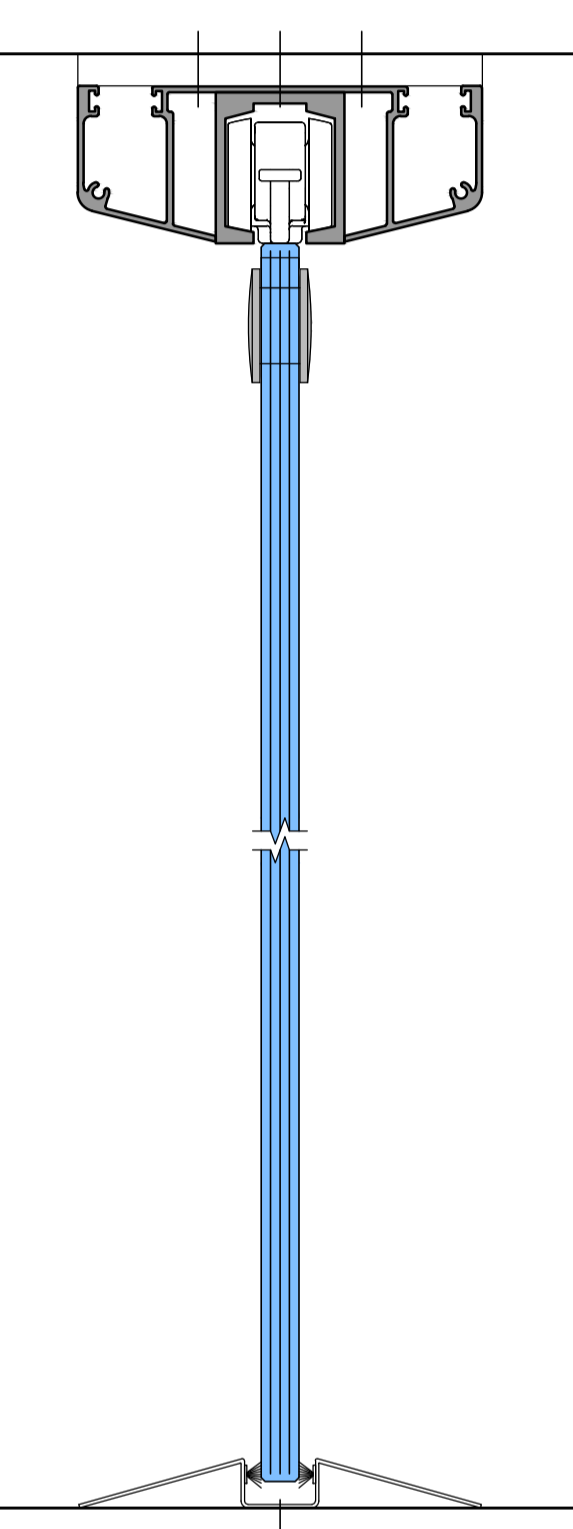
SECTION B
SINGLE GLAZED DOOR TO
HEAD HEIGHT WITH
DOUBLE GLAZED ABOVE



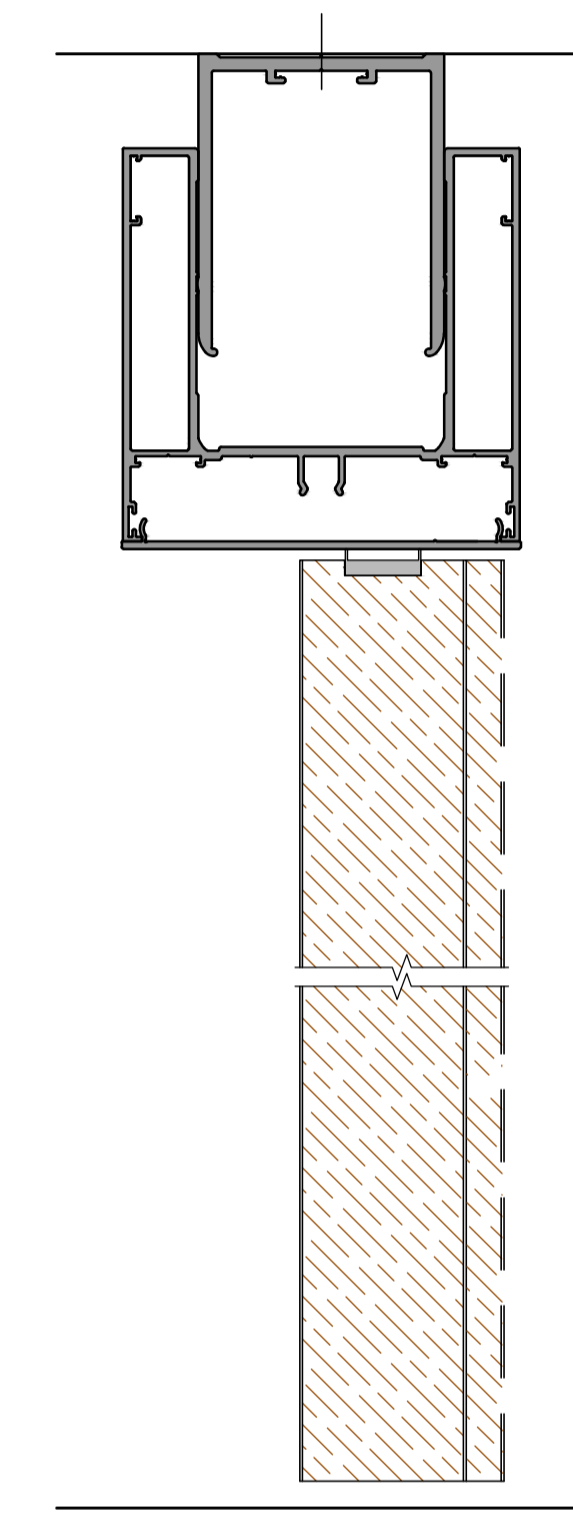
SECTION C
FULL HEIGHT TIMBER
DOOR



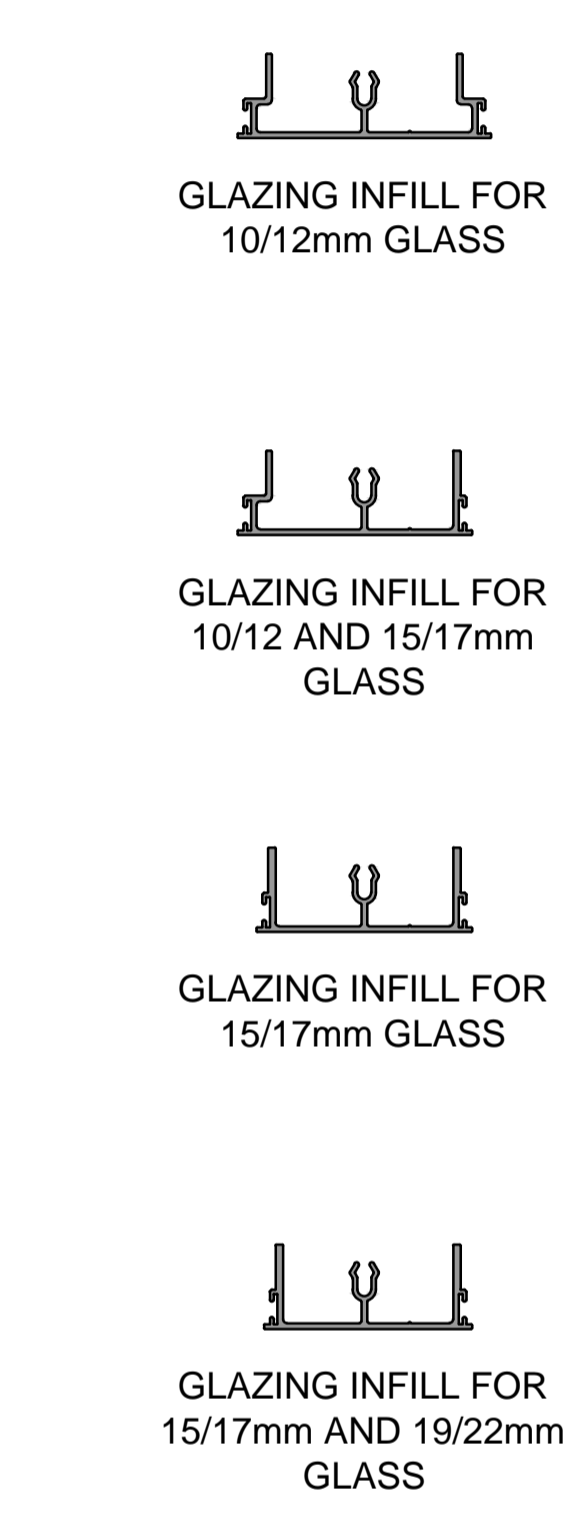
SECTION D
FULL HEIGHT FLUSH
GLAZED DOOR



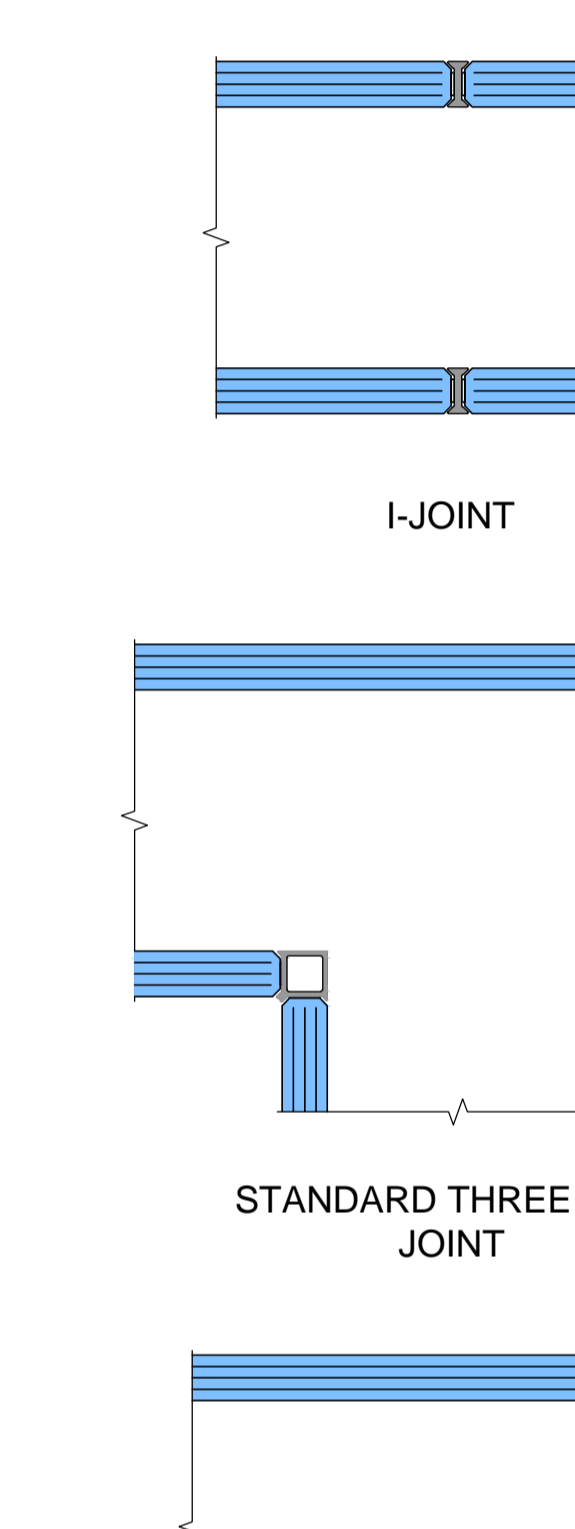
SECTION E
ECLIPSE DOUBLE GLAZED



SECTION F
FULL HEIGHT TIMBER DOOR WITH
DEFLECTION HEAD
(REDUCED DOOR FRAME HEAD)
(OPTIONAL 54mm REBATED DOOR)

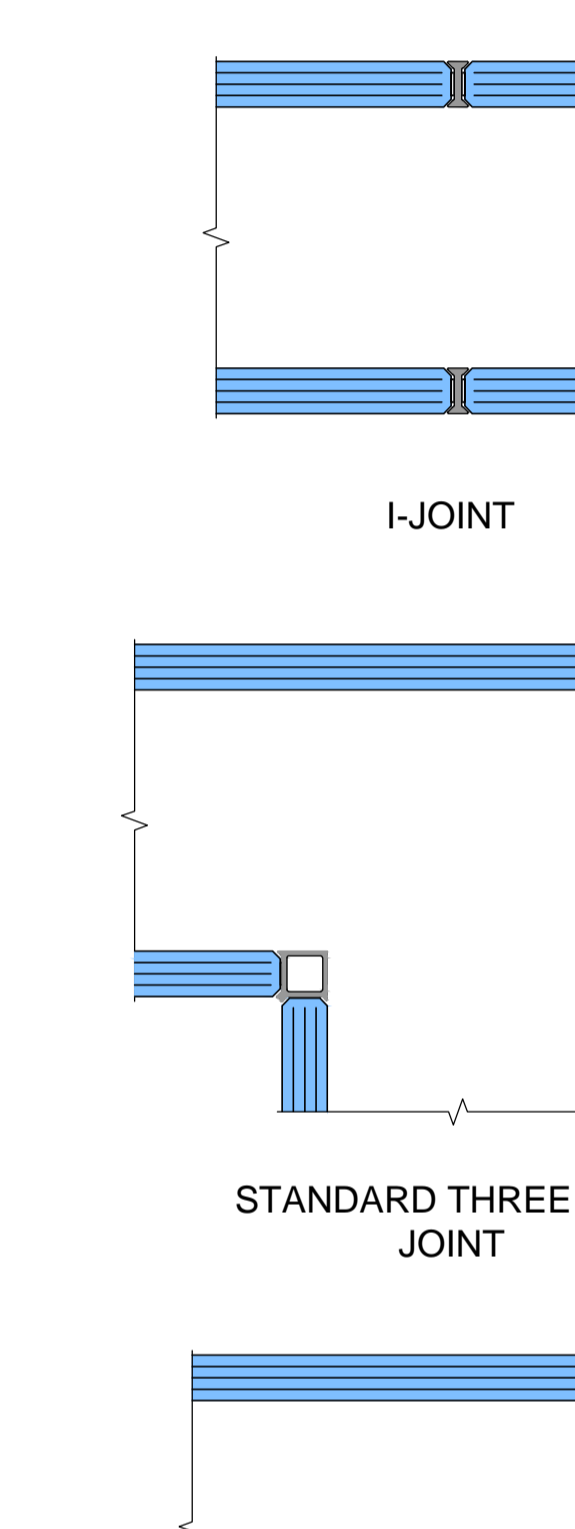


SECTION G
26mm TWO PART
WALL ABUTMENT
TRACK

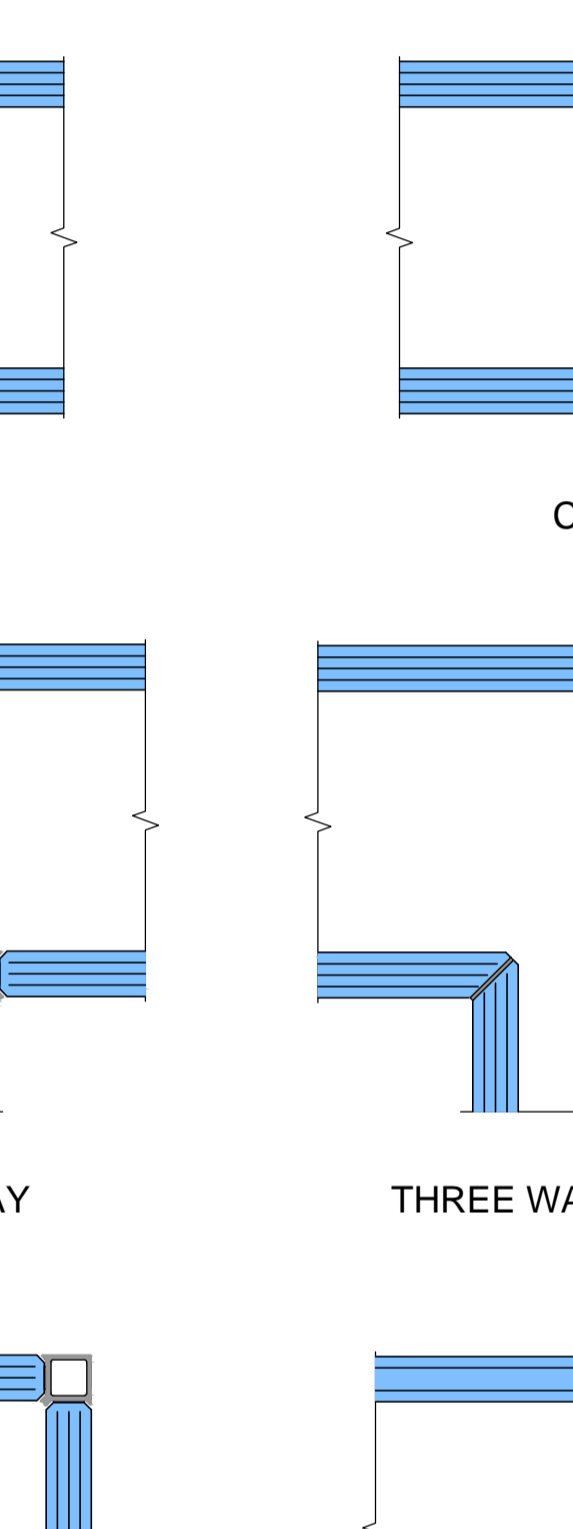


105mm DOUBLE GLAZED
REVEAL CHANNEL
(10/12mm GLASS)

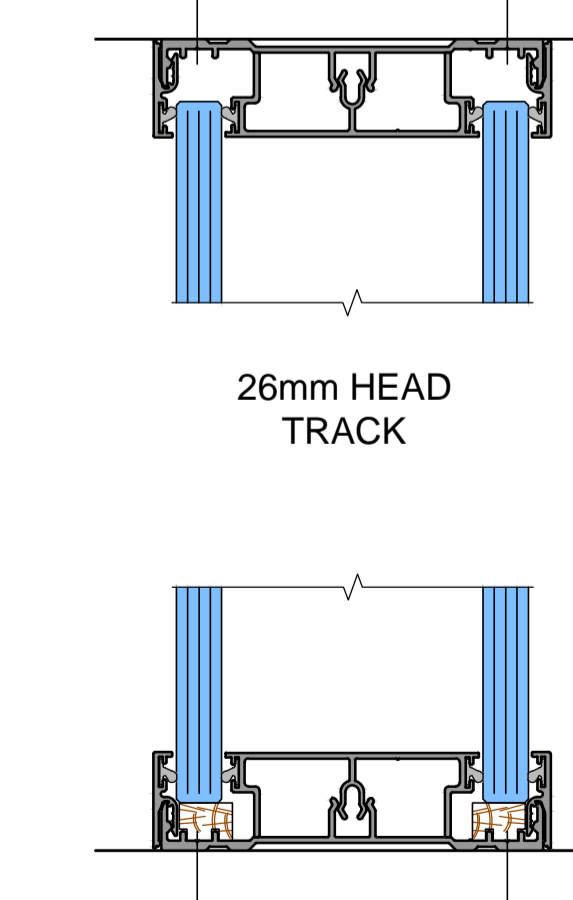
SECTION H
DOUBLE GLAZED / DOOR FRAME
(TIMBER DOOR)
(OPTIONAL 54mm REBATED DOOR)



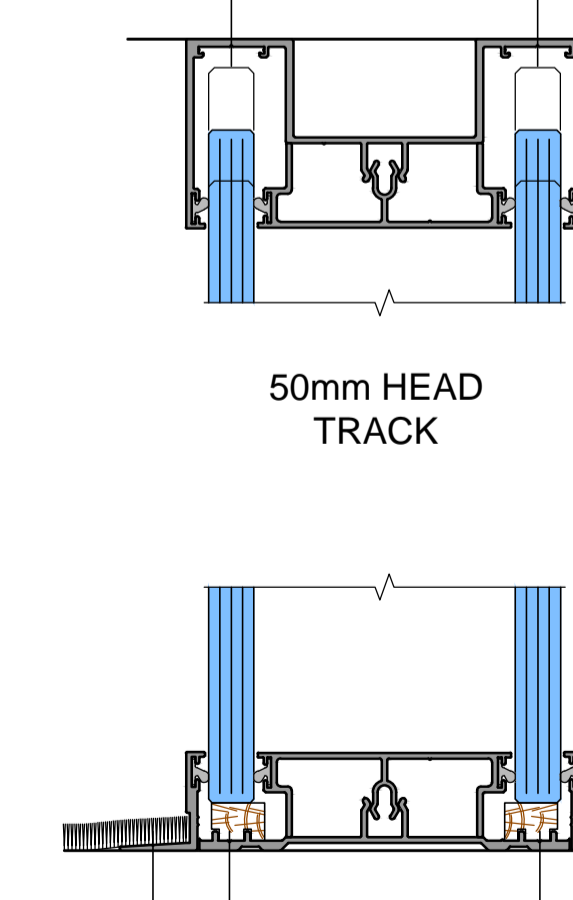
SECTION I
DOUBLE GLAZED /
DOOR FRAME
(FLUSH GLAZED DOOR)



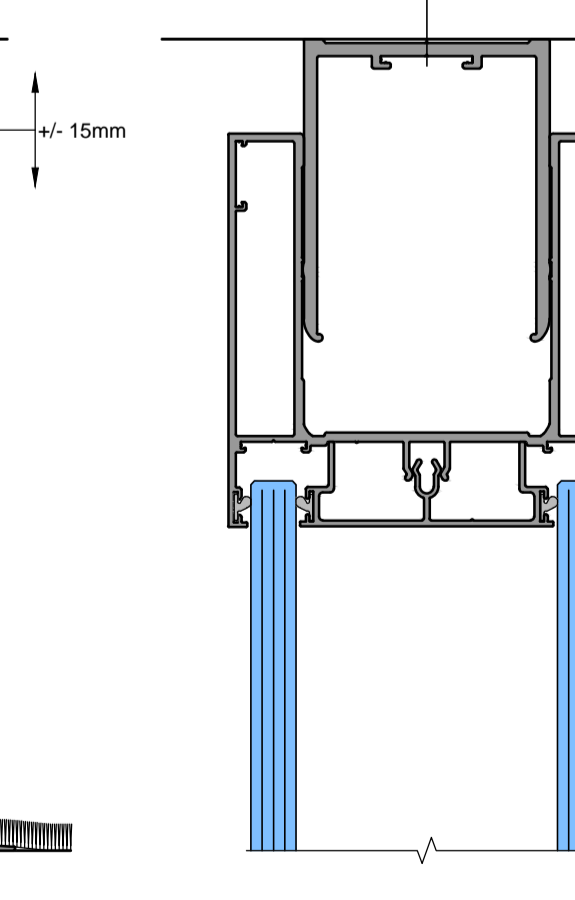
DOOR FRAME /
STRUCTURE
(SINGLE GLAZED DOOR)



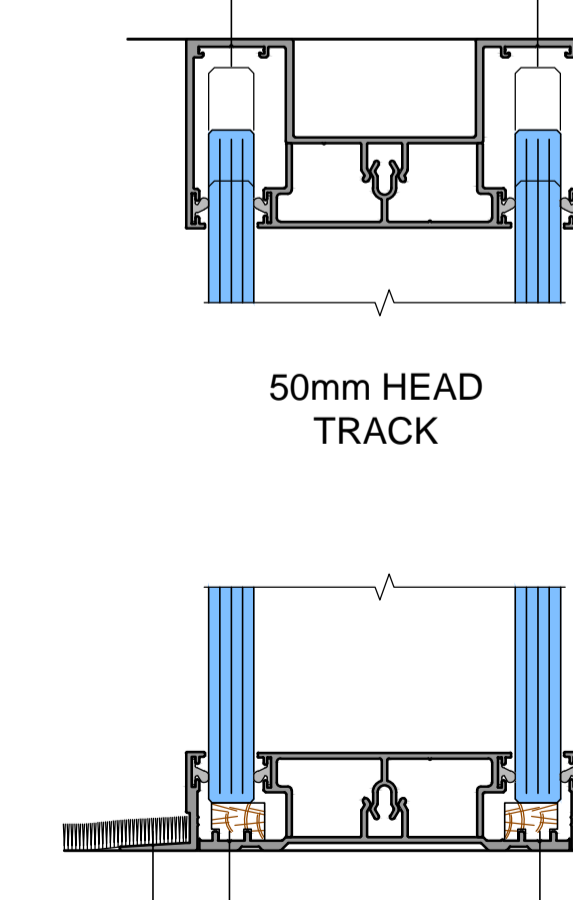
26mm HEAD
TRACK



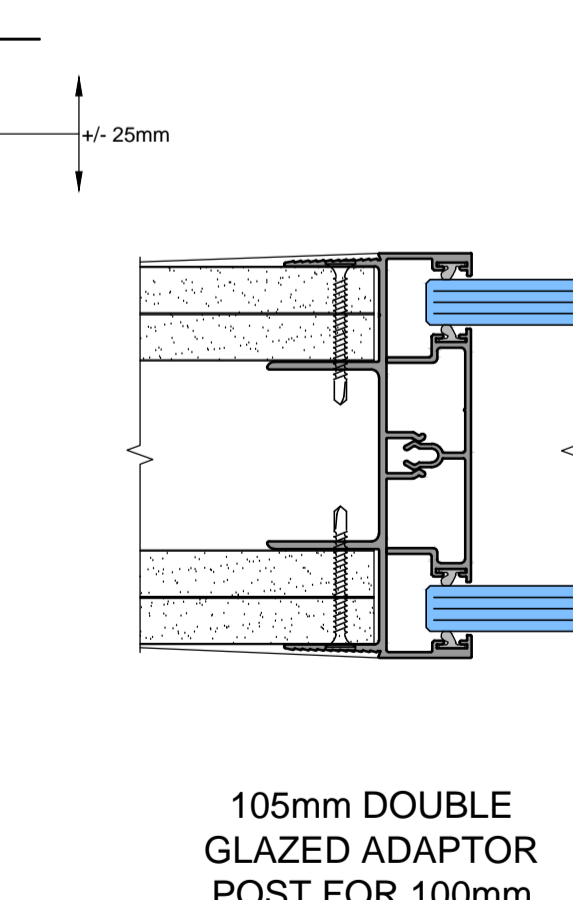
50mm HEAD
TRACK



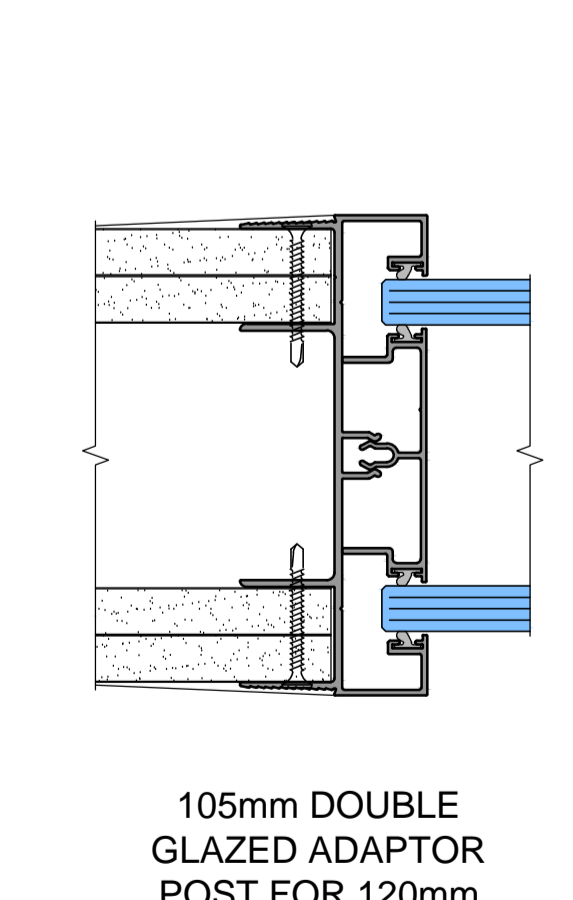
26mm BASE
TRACK



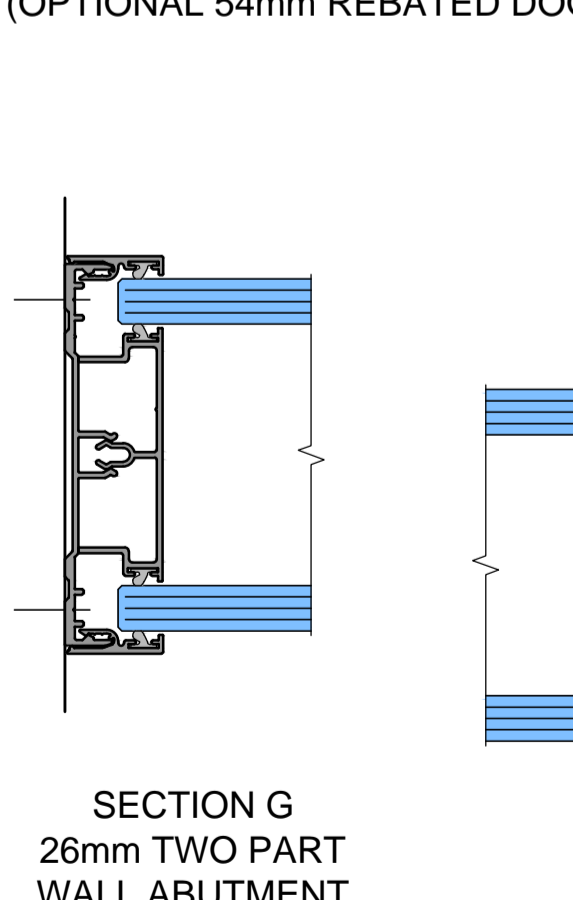
26mm BASE
TRACK WITH
FLOOR ANGLES



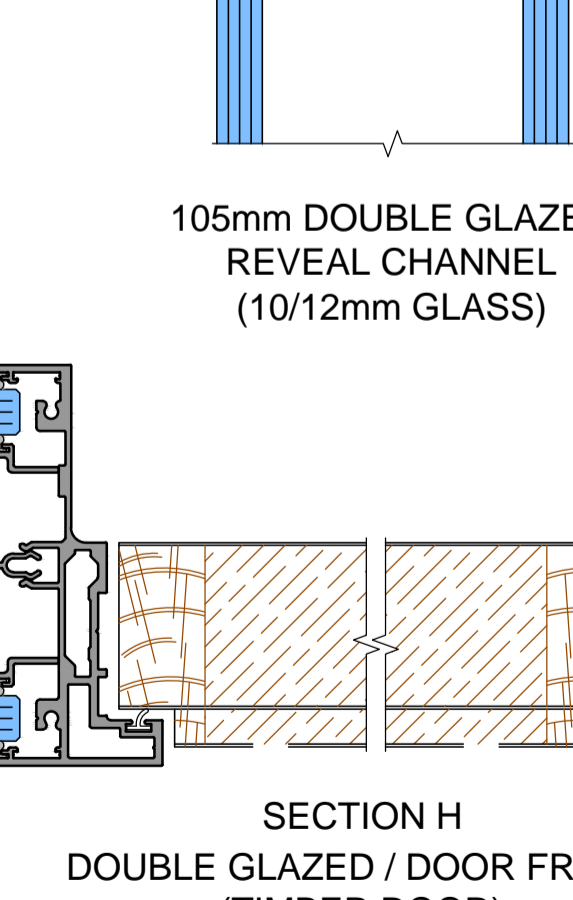
25mm
DEFLECTION
HEAD TRACK



105mm DOUBLE
GLAZED ADAPTOR
POST FOR 100mm
DRY WALL



105mm DOUBLE
GLAZED ADAPTOR
POST FOR 120mm
DRY WALL

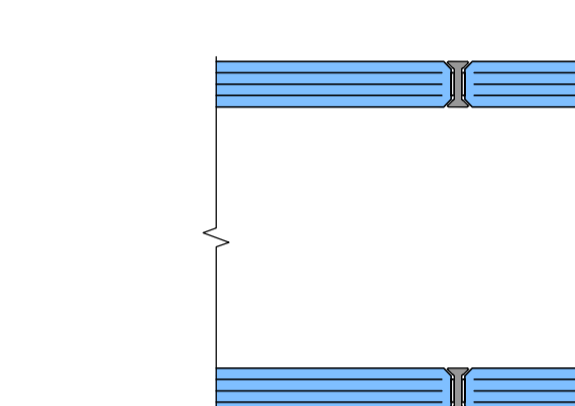


GLAZING INFILL FOR
10/12mm GLASS

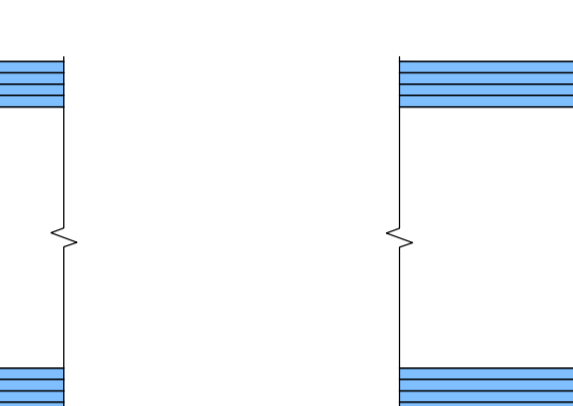
GLAZING INFILL FOR
10/12 AND 15/17mm
GLASS

GLAZING INFILL FOR
15/17mm GLASS

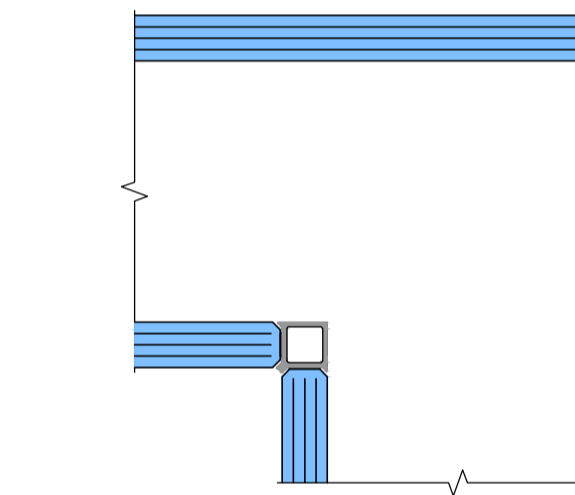
GLAZING INFILL FOR
15/17mm AND 19/22mm
GLASS



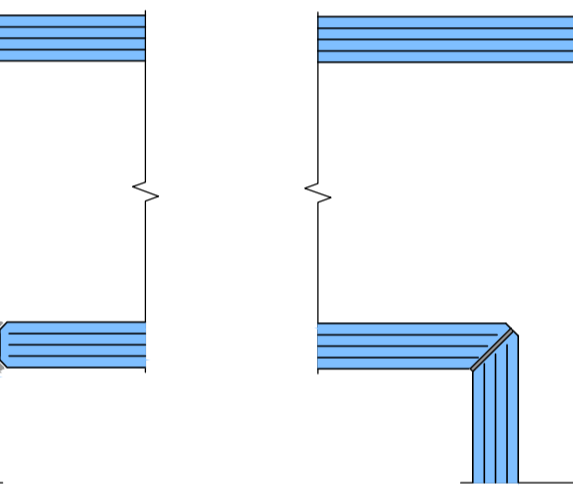
I-JOINT



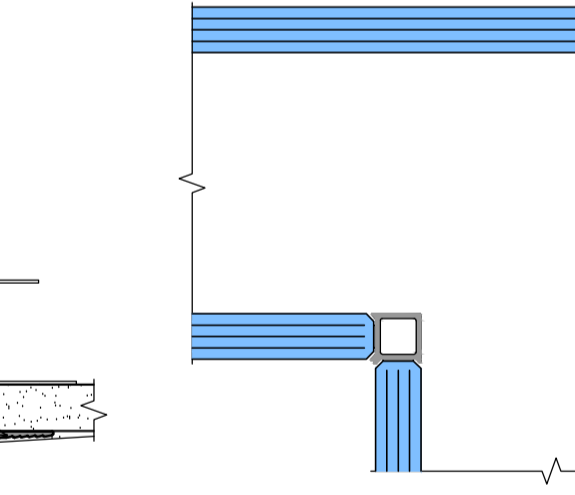
C-JOINT



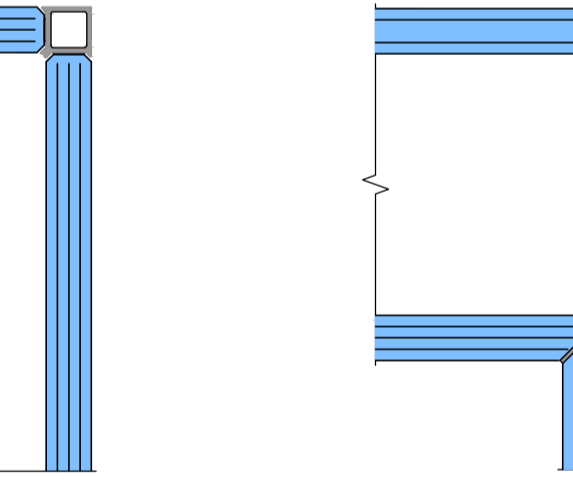
STANDARD THREE WAY
JOINT



THREE WAY TAPED JOINT



STANDARD 90° JOINT



90° TAPED JOINT

THE DETAILS ABOVE SHOW A SUMMARY OF SYSTEM OFFERING. FOR FURTHER DESIGN OPTIONS VISIT OUR WEBSITE OR CONTACT THE PARTITIONING TECHNICAL DEPARTMENT. FOR FIRE RATED DETAILS REFER TO TECHNICAL DRAWINGS.